



GLASS DOOR MERCHANDIZER

Model # PGR1

SPECIAL FEATURES

- Single self-closing, anti-fog glass door
- Interior LED lighting
- (4) epoxy-coated steel shelves included
- Foamed-in-place polyurethane insulation
- Bottom mount condensing unit
- Removable door gasket for easy cleaning
- Automatic defrosting
- Stainless steel floor
- Copper evaporator
- Available in black or white powder-coated steel exterior
- Eco-friendly R290 hydrocarbon refrigerant



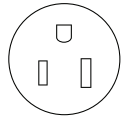
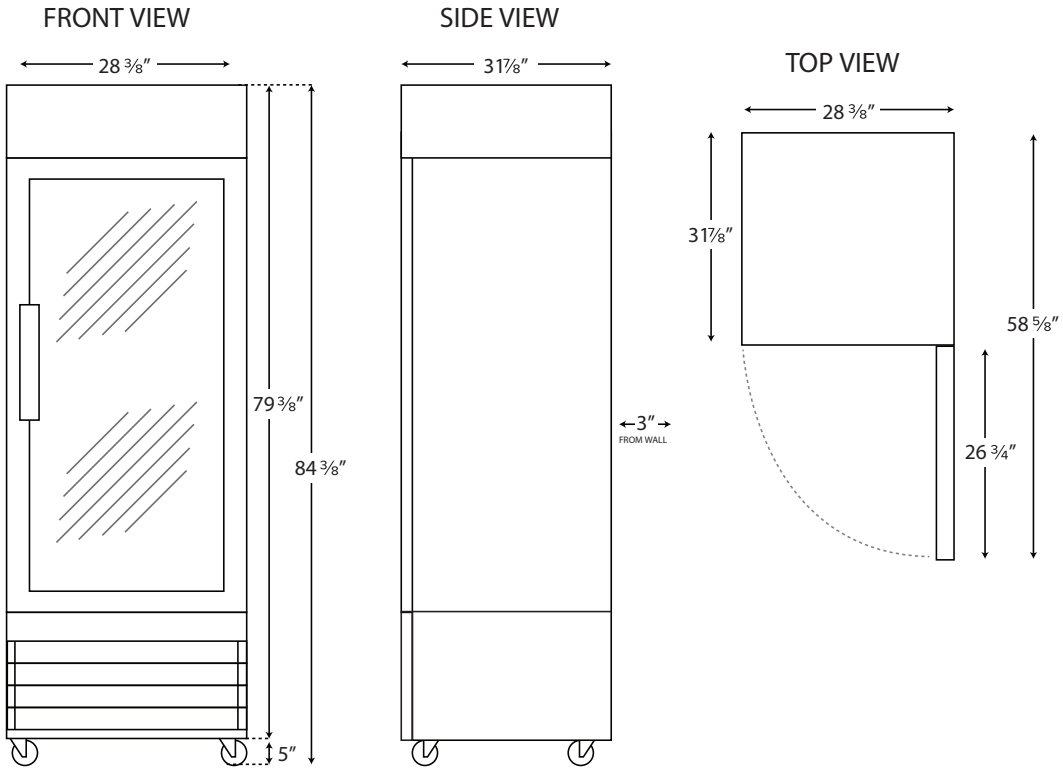


PRODUCT SPECIFICATIONS

GLASS DOOR MERCHANDIZER

Model # PGR1

PLAN VIEW



NEMA 5-15P

Dimensions

Exterior Dimensions	28 3/8"W x 31 7/8"D x 84 3/8"H
Interior Dimensions	25 1/4"W x 28 3/8"D x 62 1/2"H
Net Volume	23 cu. ft.
Net Weight	320 lbs.
Gross Weight	352 lbs.
Packaging Dimensions	30"W x 65 1/2"D x 85 1/2"H

Cooling

Temperature Range	33°F-40°F
Refrigerant	R290
Max. Ambient Temperature	90°F
Defrosting	Automatic
Temperature Controller	Digital

Construction

Exterior Material	Coated steel
Interior Material	Painted aluminum
Door Type	Glass swing
Insulation Material	Foamed-in -place polyurethane
Shelf Size	(4) 24 1/4" x 23 1/4"
Shelf Material	Epoxy-coated steel
Shelf Load Capacity	90 lb.

Electrical

Voltage	115
Amps	3
Hz	60
Phase	1
Plug Type	NEMA 5-15P
Electrical Cord Length	96"

