



CURVED TOP DISPLAY ICE CREAM FREEZER

Model # RI360

FEATURES

- Durable white powder coated steel exterior with painted steel interior
- Curved locking glass lids let you see interior contents while securing them from theft
- Comes with 4 freezer baskets for efficient organization
- Bright, cool LED lighting shows off ice cream, frozen treats, and novelties
- R290 refrigerant, 115v, 2/3hp



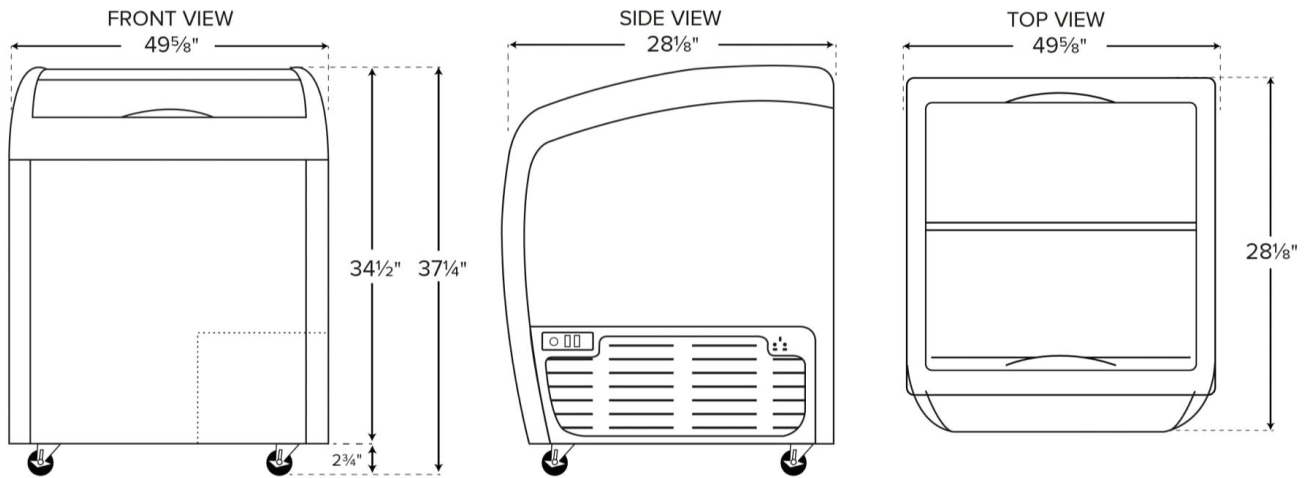


PRODUCT SPECIFICATIONS

CURVED TOP DISPLAY ICE CREAM FREEZER

Model # RI360

PLAN VIEW



TECHNICAL DATA

Width	49 5/8 Inches	Compressor Location	Bottom Mounted
Depth	28 1/8 Inches	Door Style	Sliding
Height	34 1/2 Inches	Door Type	Glass
Interior Width	43 3/4 Inches	Horsepower	2/5 HP
Interior Depth	21 1/4 Inches	Lid Type	Curved
Interior Height	26 1/8 Inches	Number of Doors	2 Doors
Amps	4 Amps	Plug Type	NEMA 5-15P
Hertz	60 Hertz	Refrigerant Type	R-290
Phase	1 Phase	Shape	Rectangle
Voltage	115 Volts	Temperature Range	-8 - -4 Degrees F
Basket Capacity	4	Total BTU	1092 BTU
Cabinet Type	Merchandising	Type	Freezers
Capacity	9 cu. ft.	Usage	Ice Cream
Color	White		