



DOUBLE TAP KEGERATOR BEER DISPENSER

Model # PDD-48

FEATURES

- 2 shelves included for optional bottle and can storage for increased versatility
- Holds (2) 1/2 kegs; includes (2) "D" system couplers
- Digital controls for easy-to-read temperature display
- LED interior lighting
- 115V; 3/7hp; 2 Amps; R290 refrigerant



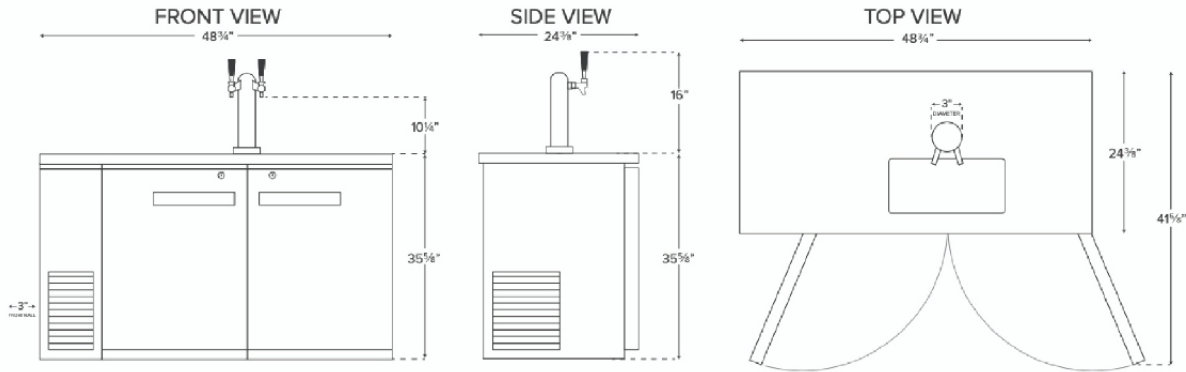


PRODUCT SPECIFICATIONS

DOUBLE TAP KEGERATOR BEER DISPENSER

Model # PDD-48

PLAN VIEW



TECHNICAL DATA

Width	48 3/4 Inches
Depth	24 3/8 Inches
Height	35 5/8 Inches
Power Cord Length	108 Inches
Interior Width	36 1/4 Inches
Left Door Opening Width	16 7/16 Inches
Packaging Width	51 1/4 Inches
Right Door Opening Width	16 7/16 Inches
Shelf Width	17 5/8 Inches
Interior Depth	18 1/2 Inches
Nominal Depth	Narrow
Packaging Depth	27 1/2 Inches
Shelf Depth	18 1/8 Inches
Faucet Height	10 1/4 Inches
Interior Height	28 7/8 Inches
Packaging Height	41 3/4 Inches
Tap Tower Height	16 Inches
Tap Tower Diameter	3 Inches
Amps	2 Amps
Hertz	60 Hertz
Phase	1 Phase
Voltage	115 Volts
BTU (LBP)	974 BTU
Capacity	(2) 1/2 Kegs

Compressor Location	Left Side Mounted
Door Type	Solid
Exterior Finish	Black
Features	Automatic Electric Defrost Digital Temperature Controller LED Lighting
Horsepower	3/7 HP
Individual Shelf Capacity	88 lb.
Insulation Material	Polyurethane Foam
Material	Black Coated Steel / Stainless Steel
Net Volume	13 cu. ft.
Net Weight	231 lb.
Number of 12 oz. Bottles	196 Bottles
Number of 12 oz. Cans	144 Cans
Number of Doors	2 Doors
Number of Kegs	2 Kegs 2 Kegs
Number of Shelves	2 Shelves
Number of Taps	2 Taps
Plug Type	NEMA 5-15P
Refrigerant Capacity	2.5 oz.
Refrigerant Type	R-290
Shelf Material	Epoxy-Coated Steel
Style	1/2 Barrel
Temperature Range	33 - 40 Degrees F
Top Capacity	353 lb.
Type	Kegerators / Beer Dispensers