



SSPPT SERIES PIZZA PREP TABLE

Model # PPT-60

FEATURES

- Eco-friendly R290 hydrocarbon refrigerant
- Sleek, 430 type stainless steel exterior
- 304 type stainless steel interior for increased corrosion resistance
- Easy-to-use digital controller with auto defrost maintains temperatures from 33-40°F
- Full length, 19 ⁷/₁₆" deep cutting board
- Top holds up to (8") 1/3 size food pans up to 6" deep (sold separately)
- Insulated lid for better temperature retention
- Refrigerated base with (2) adjustable shelves included
- 115V, 1/2 - EQV



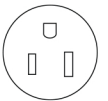
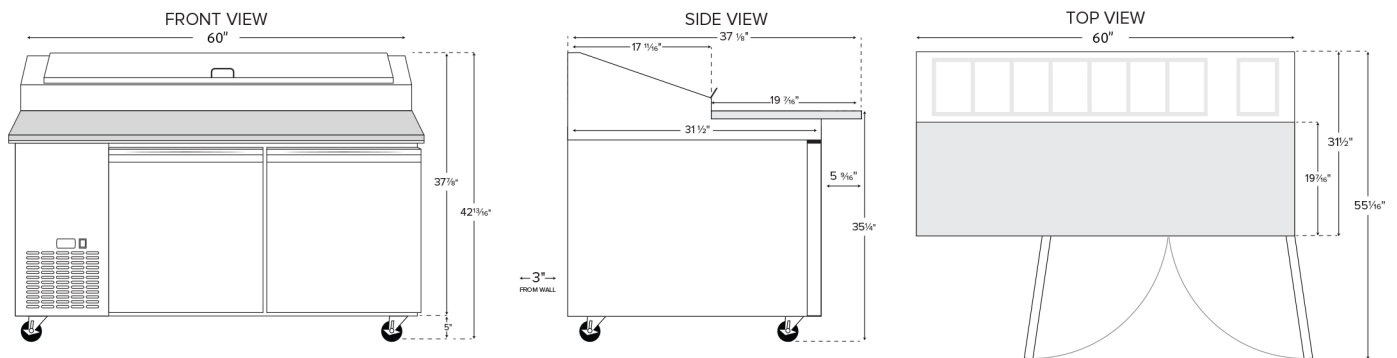


PRODUCT SPECIFICATIONS

SSPPT SERIES - PIZZA PREP TABLE

Model # PPT-60

PLAN VIEW



NEMA 5-15P

TECHNICAL DATA

Dimensions

Exterior Dimensions	60"W x 31 ¹ / ₂ "D x 42 ¹³ / ₁₆ "H
Interior Dimensions	47 ⁵ / ₈ "W x 26 ³ / ₁₆ "D x 22 ⁷ / ₈ "H
Working Height	35 ¹ / ₄ "
Overall Height (Lid Open)	56 ³ / ₄ "
Cutting Board Dimensions	60"W x 19 ⁷ / ₁₆ "D x ³ / ₄ "H
Net Volume	16.4 cu. ft.
Net Weight	419 lb.
Gross Weight	476 lb.
Pan Capacity	(7) 1/3 Size
Packing Dimensions	73 ¹ / ₁₆ "W x 36 ⁵ / ₈ "D x 45 ⁷ / ₈ "H

Cooling

Temperature Range	33°F - 40°F
Refrigerant	R290
Max. Ambient Temperature	90°F
Defrosting	Automatic
Temperature Controller	Digital
Horsepower	1/2 - EQV
BTU/Hour	631

Construction

Exterior Material	Type 430 Stainless Steel
Interior Material	Type 304 Stainless Steel
Insulation Material	Foamed-in-place Polyurethane
Shelves	(2) 23 ¹ / ₈ "W x 24 ³ / ₈ "D
Shelf Material	Epoxy-coated Steel
Shelf Load Capacity	90 lb.

Electrical

Voltage	115
Amps	5.1
Hz	60
Phase	1
Plug Type	NEMA 5-15P
Electrical Cord Length	98 ⁷ / ₁₆ "