



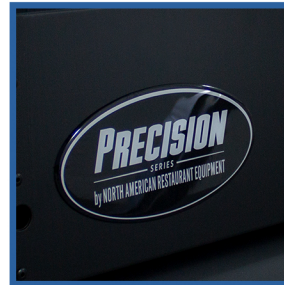
GLASS DOOR MERCHANDISER

Model # PGR1-FG Glass Door Refrigerator



Features

- Eco-friendly R290 hydrocarbon refrigerant
- Self-closing, glass swing doors
- 4 epoxy-coated steel shelves hold up to 90 lb. each
- Bright LED lighting
- Maintains temperatures between 33-40 degrees F
- Easy-to-use digital temperature controls
- Foamed-in-place polyurethane insulation
- Black coated steel exterior
- Painted aluminum interior
- Stainless steel floor
- Auto-defrost for easy maintenance



(401)-639-3271

www.northamericanrefrigeration.com

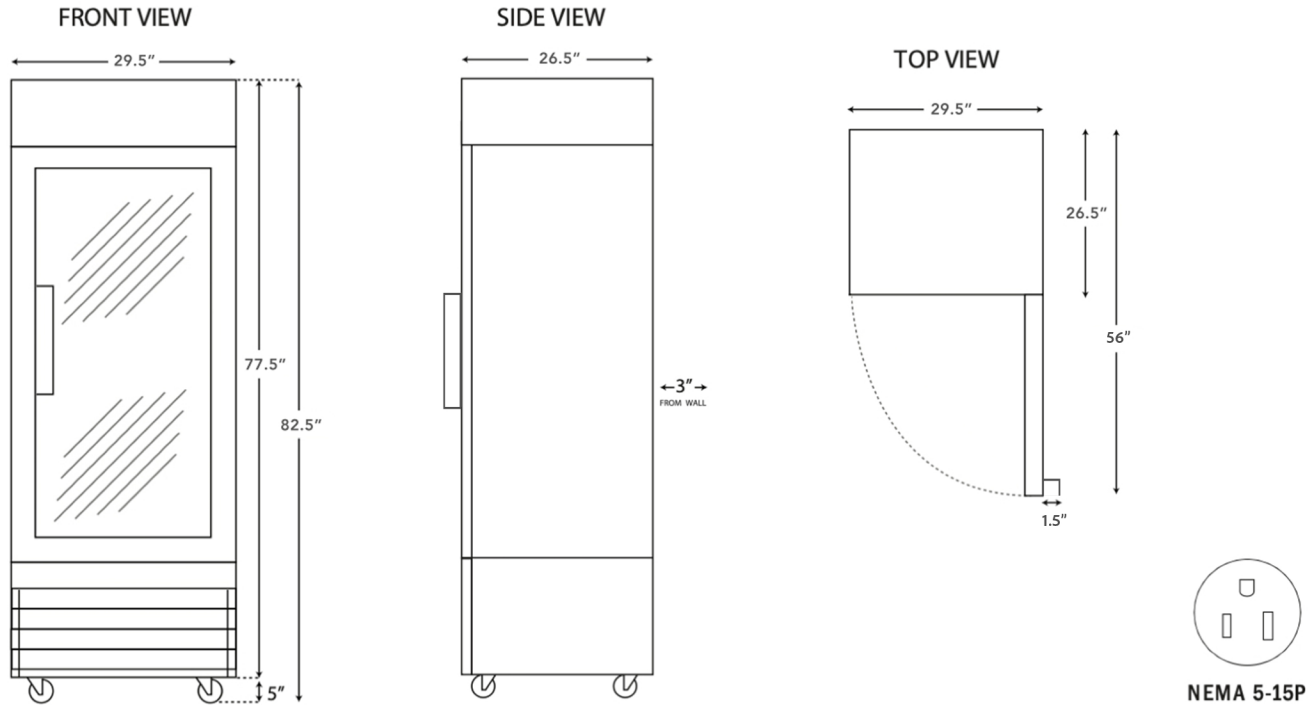
© 2016 North American Restaurant Equipment





Product Specifications
Model # PGR1-FG Glass Door Refrigerator

GLASS DOOR MERCHANDISER



Dimensions

Width	29.5 in
Height	82.5 in
Depth	26.5 in
Shelf Size	24in x 23in
Weight	243 lb

Cooling

Temperature Range	33F-40F
Refrigerant	R290
Max. Ambient Temperature	90
Defrosting	Automatic
Temperature Controller	Digital

Construction

Exterior Material	Black Coated Steel
Interior Material	Painted Aluminum
Door Type	Glass Swing
Insulation Material	Foamed in Place Polyurethane
Shelf Material	Plastic-Coated Steel
Shelf Load Capacity	90 lb.

Electrical

Voltage	115
Amps	3.4
Hz	60
Phase	1
Plug Type	NEMA 5-15 P
Electrical Cord Length	96"



(401)-639-3271

www.northamericanrefrigeration.com

© 2016 North American Restaurant Equipment

