



BLACK HORIZONTAL BOTTLE COOLER

Model # PBC36

FEATURES

- Keeps beer, cider and soda chilled to perfection
- Spacious 8.5 cu.ft. interior
- Includes 2 stainless steel locking lids and a removable bottle opener / cap catcher
- Easy-to-read digital temperature controller and auto-defrost function
- 115V, 1/4 hp; R290 refrigerant; 1.1Amps



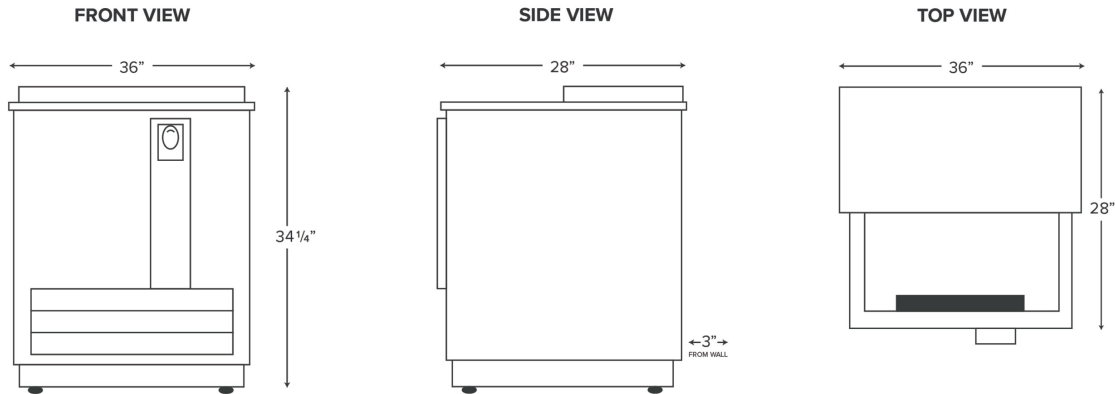


PRODUCT SPECIFICATIONS

BLACK HORIZONTAL BOTTLE COOLER

Model # PBC36

PLAN VIEW



TECHNICAL DATA

| | | | |
|----------------------------|---------------|---------------------------------|-----------------------|
| Width | 36 Inches | Compressor Style | Side / Rear Breathing |
| Depth | 28 Inches | Construction | Aluminum Steel |
| Height | 34 1/4 Inches | Exterior Finish | Black |
| Power Cord Length | 90 Inches | Horsepower | 1/4 HP |
| Interior Width | 31 7/8 Inches | Lid Style | Sliding |
| Interior Depth | 23 Inches | Lid Type | Solid |
| Interior Height | 15 3/4 Inches | Number of 12 oz. Bottles | 130 Bottles |
| Amps | 1.1 Amps | Number of 12 oz. Cans | 196 Cans |
| Hertz | 60 Hertz | Number of Dividers | 2 |
| Phase | 1 Phase | Number of Lids | 2 Lids |
| Voltage | 115 Volts | Plug Type | NEMA 5-15P |
| BTU (LBP) | 666 BTU | Refrigerant Capacity | 2.5 oz. |
| Capacity | 8.5 cu. ft. | Refrigerant Type | R-290 |
| Compressor Location | Side Mounted | Temperature Range | 33 - 40 Degrees F |