



# HORIZONTAL BOTTLE COOLER

Model # PBC36-SS

## FEATURES

- Keeps beer, cider and soda chilled to perfection
- Spacious 8.5 cu.ft. interior
- Includes 2 stainless steel locking lids and a removable bottle opener / cap catcher
- Easy-to-read digital temperature controller and auto-defrost function
- 115V, 1/4 hp; R290 refrigerant; 1.1Amps



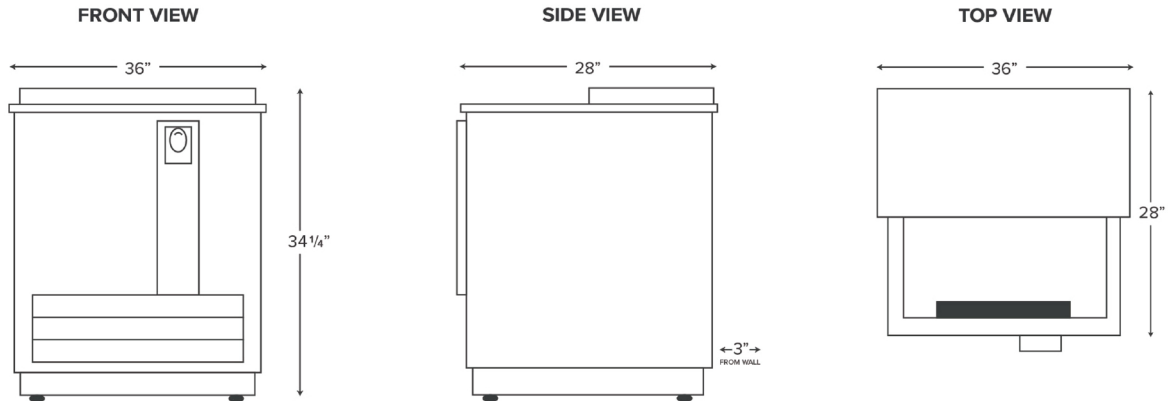


## PRODUCT SPECIFICATIONS

# HORIZONTAL BOTTLE COOLER

Model # PBC36-SS

### PLAN VIEW



### TECHNICAL DATA

Width	36 Inches	Compressor Style	Side / Rear Breathing
Depth	28 Inches	Construction	Aluminum Steel
Height	34 1/4 Inches	Exterior Finish	Stainless Steel
Power Cord Length	90 Inches	Horsepower	1/4 HP
Interior Width	31 7/8 Inches	Lid Style	Sliding
Interior Depth	23 Inches	Lid Type	Solid
Interior Height	15 3/4 Inches	Number of 12 oz. Bottles	130 Bottles
Amps	1.1 Amps	Number of 12 oz. Cans	196 Cans
Hertz	60 Hertz	Number of Dividers	2
Phase	1 Phase	Number of Lids	2 Lids
Voltage	115 Volts	Plug Type	NEMA 5-15P
BTU (LBP)	666 BTU	Refrigerant Capacity	2.5 oz.
Capacity	8.5 cu. ft.	Refrigerant Type	R-290
Compressor Location	Side Mounted	Temperature Range	33 - 40 Degrees F