

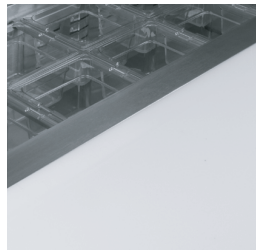
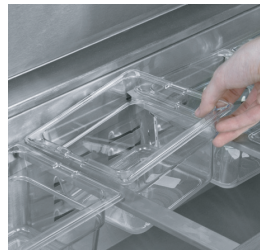


SALAD/SANDWICH PREP TABLE

Model # P72M

FEATURES

- Eco-friendly R290 hydrocarbon refrigerant
- Accommodates (30) 1/6 size, 6" deep food pans (sold separately)
- 430 type stainless steel exterior and 304 type stainless
- Full length, 3/4" thick, 8" deep cutting board for easy prep work
- Three self-closing swing doors with recessed full-length stainless steel handles
- Maintains a food safe temperature range of 33-40°F
- Easy-to-read digital temperature controller
- Includes convenient auto-defrost feature
- Foamed-in-place polyurethane insulation
- 115V, 3/4 hp
- Pan rail is air cooled from the bottom
- Warranty is 5 year compressor 3 year parts 1 year labor



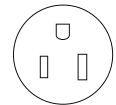
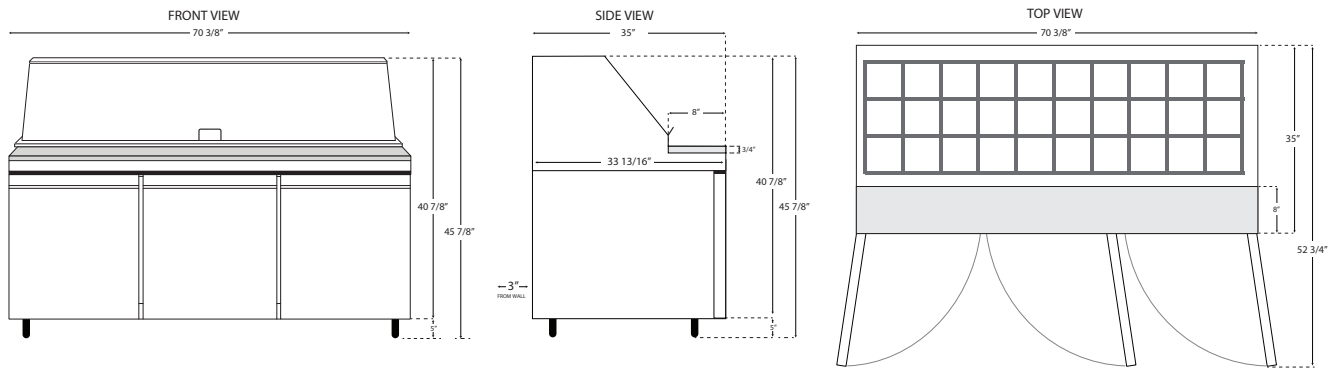


PRODUCT SPECIFICATIONS

SALAD/SANDWICH PREP TABLE

Model # P72M

PLAN VIEW



NEMA 5-15P

TECHNICAL DATA

Dimensions

Exterior Dimensions	70 3/8"W x 35"D x 45 7/8"H
Interior Dimensions	66 1/2"W x 23 3/4"D x 23 1/2"H
Working Height	35 1/4"
Overall Height (Lid Open)	51 3/4"
Net Volume	18 cu. ft.
Net Weight	528 lb.
Gross Weight	605 lb.
Packaging Dimensions	74 3/4"W x 39 1/4"D x 49"H

Cooling

Temperature Range	33°F - 40°F
Refrigerant	R290
Max. Ambient Temperature	90°F
Defrosting	Automatic
Temperature Controller	Digital
Horsepower	3/4

Construction

Exterior Material	Type 430 Stainless Steel
Interior Material	Type 304 Stainless Steel
Insulation Material	Foamed-in-place polyurethane
Shelf Size	(3) 21 5/8" x 17 1/16"
Shelf Material	Epoxy-coated steel
Shelf Load Capacity	90 lb.

Electrical

Voltage	115
Amps	8.8
Hz	60
Phase	1
Plug Type	NEMA 5-15P
Electrical Cord Length	84"