



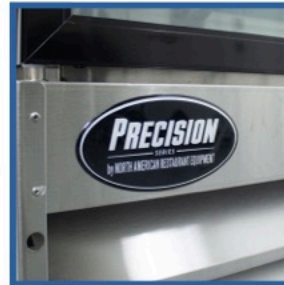
GLASS DOOR MERCHANDISER

Model # P2GDC Glass Door Refrigerator



Features

- Stainless steel exterior
- Easy-to-clean interior
- Positive seal self-closing door.
- R290 Refrigeration system holds 33°F to 41°F
- Adjustable temperature set point
- Adjustable defrost frequency
- Adjustable, heavy duty PVC coated shelves
- Simple installation with no plumbing required
- Error codes to diagnose service issues
- Tempering glass to protect personal safety
- Easily accessible condenser coil for cleaning and easy service access



(401)-639-3271

www.northamericanrefrigeration.com

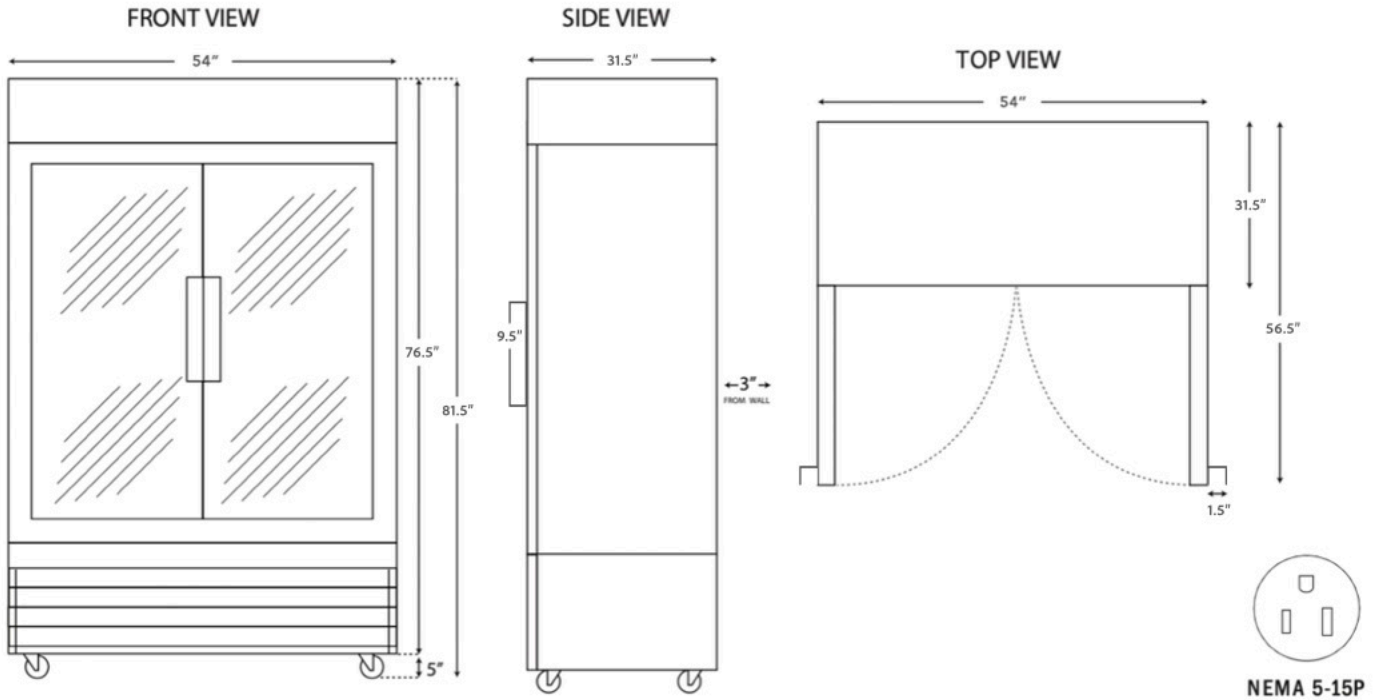
© 2016 North American Restaurant Equipment





Product Specifications
Model #P2GDC Glass Door Refrigerator

GLASS DOOR MERCHANDISER



[

Width	54 in
Height	81.5 in
Depth	31.5 in
Shelf Size	24in x 23in

Temperature Range	33°F-41°F
Refrigerant	R290
Max. Ambient Temperature	90
Defrosting	Automatic
Temperature Controller	Digital

Construction

Exterior Material	Stainless Steel
Interior Material	Painted Aluminum
Door Type	Glass Swing
Insulation Material	Foamed in Place Polyurethane
Shelf Material	PVC-Coated Steel
Shelf Load Capacity	90 lb.

Electrical

Voltage	115
Ams	4.5
Hz	60
Phase	1
Plug Type	NEMA 5-15 P
Electrical Cord Length	96"



(401)-639-3271

www.northamericanrefrigeration.com

© 2016 North American Restaurant Equipment

