



BLACK HORIZONTAL BOTTLE COOLER

Model # PBC-50

FEATURES

- R290 hydrocarbon refrigerant
- Spacious 12.7 cu. ft. interior features 3 epoxy-coated dividers
- Includes 2 locking lids and comes with 1 removable bottle opener/cap catcher
- Easy-to-read digital temperature controller and auto-defrost function
- 115v; 1/3hp; 1.1 Amps



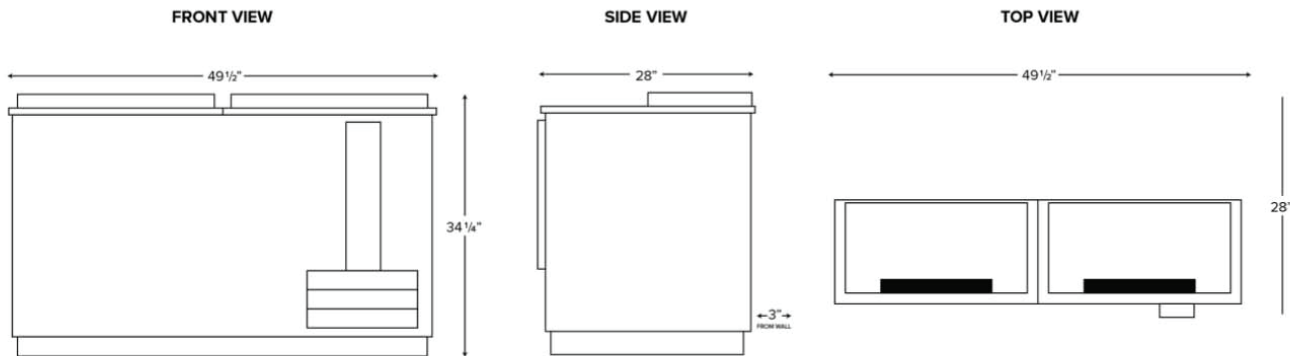


PRODUCT SPECIFICATIONS

BLACK HORIZONTAL BOTTLE COOLER

Model # PBC-50

PLAN VIEW



TECHNICAL DATA

Width	49 1/2 Inches	Capacity	12.7 cu. ft.
Depth	28 Inches	Compressor Location	Side Mounted
Height	34 1/4 Inches	Compressor Style	Side / Rear Breathing
Interior Width	45 3/8 Inches	Exterior Finish	Black
Interior Depth	23 Inches	Horsepower	1/3 HP
Interior Height	26 Inches	Lid Style	Sliding
Amps	1.1 Amps	Lid Type	Solid
Hertz	60 Hertz	Number of Dividers	3
Phase	1 Phase	Number of Lids	2 Lids
Voltage	115 Volts	Plug Type	NEMA 5-15P
Access Type	Doors	Refrigerant Type	R-290
BTU (LBP)	666 BTU	Temperature Range	33 - 40 Degrees F